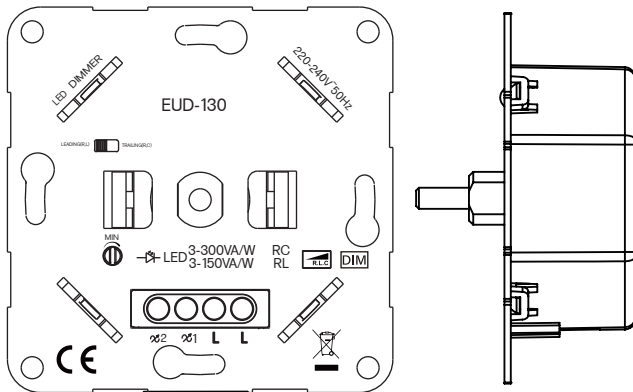


offgridtec Manual



EUD-130 Two Way Control

LED dimmer Phase cut-off & cut on (R,L,C)

Specifications:

Connection voltage:	220-240VAC
Frequency:	50Hz
Dimming technology:	Leading & Trailing edge
Dimmable LED lamps:	3-300VA/W RC 3-150VA/W RL
Overload Protection:	Yes, automatically
Thermal protection:	Yes, automatically

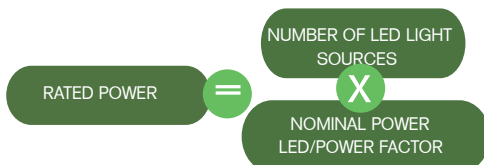
Suitable for both retrofit lamp bulbs and new installations.
Soft start system for longer LED lamp life.
Built-in protection for overheating and overloading.
Suitable for standard switching.

Note:

This is a two-wire dimmer and it should be connected as shown under the heading 'Wiring diagram'. Installation of the dimmer on a 220-240 VAC mains should be carried out by a qualified professional, taking into account national regulations. Ensure that the electricity is switched off during all work. Dimmer is not suitable for wound / magnetic or core transformers.

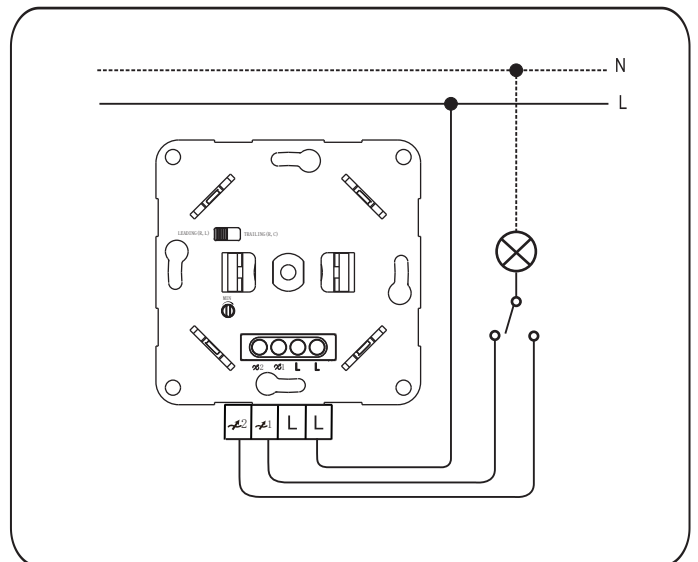
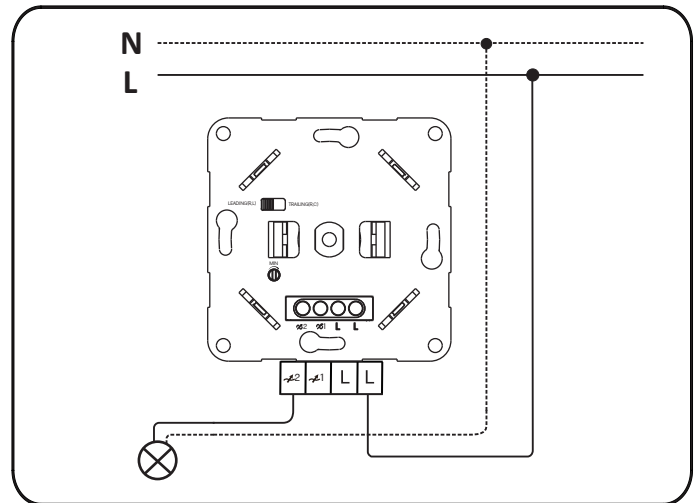
Reduction of connection capacity by PowerFactor

When calculating the LED connection power of the dimmer, take into account the PowerFactor of the dimmable LED lighting. See the global calculation below for this.



Example: 10 lamps * (5W per lamp / 0.8 PowerFactor)
= 62.5 Watt

Wiring diagram:



MIN
 Setting the minimum brightness

1. Set the dimmer to the minimum load.
2. Turn the min-adjustment micro switch to the desired minimum load.
3. The dimmer is now set to the desired minimum load.

MAX
 Setting the maximum brightness

The maximum brightness is set to self-adaption.

Setting the dimming mode

The default mode is RC mode, please switch RC mode to RL mode by an external manual switch to be compatible with the specific kind of loads

Offgridtec AG
Im Gewerbepark 11
84307 Eggenfelden
Germany