

Offgridtec Mounting Clamp for Attachment

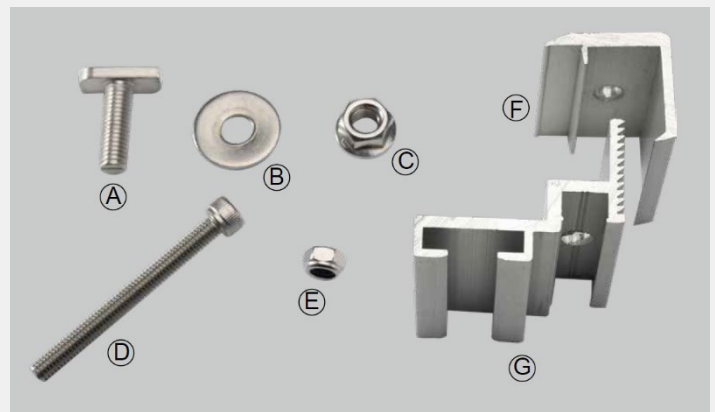
Feature

- ❖ Solid and durable, made of aluminum and stainless steel
- ❖ Fitting with the PV module frame height from 28-50 mm
- ❖ For attaching other devices to the back of the PV module, especially for microinverters
- ❖ Suitable for all brands of micro inverters
- ❖ Easy installation
- ❖ Available in Silver and Black



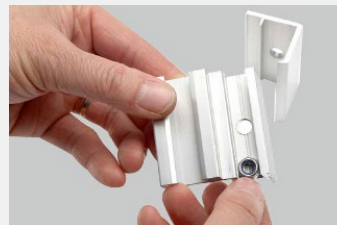
Part List

- A. Stainless Steel T Bolt M8*30
- B. Stainless Steel Flat Washer D26*2
- C. Stainless Steel Flange Nut M8
- D. Stainless Steel HEX Bolt M6*55
- E. Stainless Steel HEX Selflock Nut M6
- F. AL6063-T5 Clamp L type
- G. AL6063-T5 Gear Clamp adjustable



Step 1

Slide the Selflock nut (E) into the groove of Clamp G, right matching the position of screw hole.



Step 2

Connect the Clamp F and Clamp G by HEX bolt (D) through each of screw hole on the clamps and half locked by Selflock nut (E)

Tips: The wall of the groove where Selflock nut (E) stay could be regarded as stopper when turning the bolt



About us
Offgridtec GmbH
Im Gewerbepark 11
84307 Eggenfelden

Contact
+49 8721 91994-00
info@offgridtec.com
www.offgridtec.com



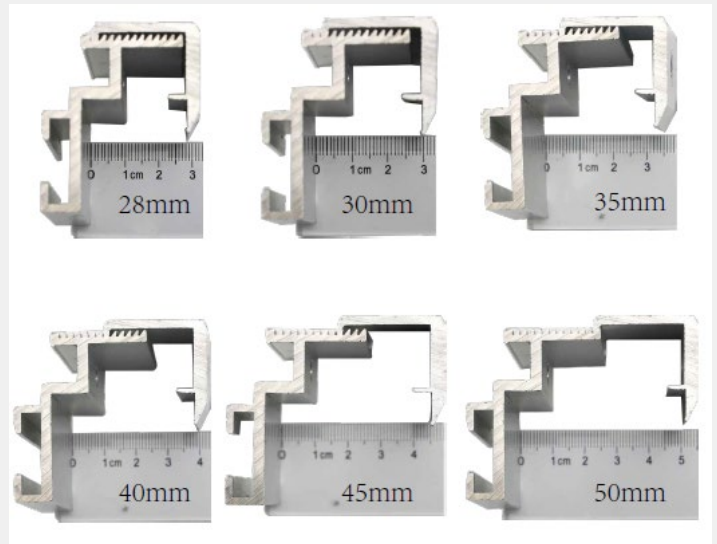
Offgridtec Mounting Clamp for Attachment

Step 3



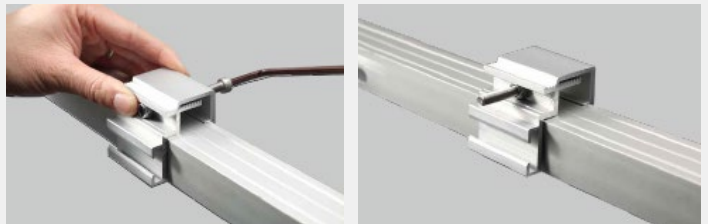
Put the Clamp set onto the solar panel as following figure and adjust the distance to meet the right gear with right height of solar panel.

Tips: Position guide is shown on the right →



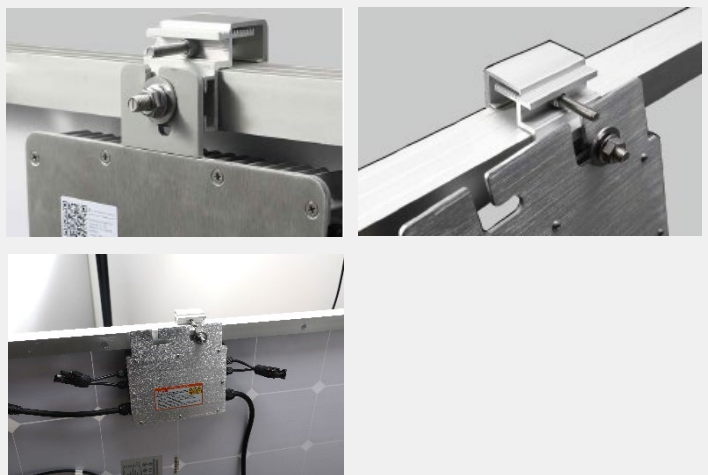
Step 4

Fully lock the clamp set against the solar panel frame, make sure that the wall of the clamp fully attached to the frame and the gear between two clamps are fully locked.



Step 5

Slid the T bolt (A) into the slot of Clamp G; Hanging the microinverter to the bolt and lock it with Flat Washer (B) and Flange Nut (C); If there are two hanging positions for microinverter, you may need two sets of mounting clamps.



About us
Offgridtec GmbH
Im Gewerbepark 11
84307 Eggenfelden

Contact
+49 8721 91994-00
info@offgridtec.com
www.offgridtec.com

