

Victron Inverter/Charger Guide



Connect the communication cable

A custom ethernet cable is needed for the communication between Pytes V series battery and Color Control GX.

Figure 2.1.3.1 Pin assignment of Victron MultiPlus-II (or Quattro-II) series inverter.

Pin	1	2	3	4	5	6	7	8
Function							CAN-H	CAN-L

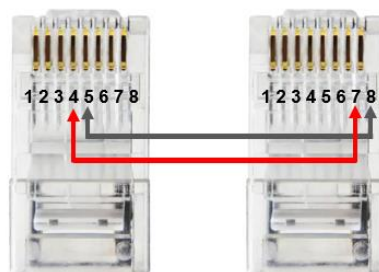


Figure 2.1.3.2 Victron ethernet cable

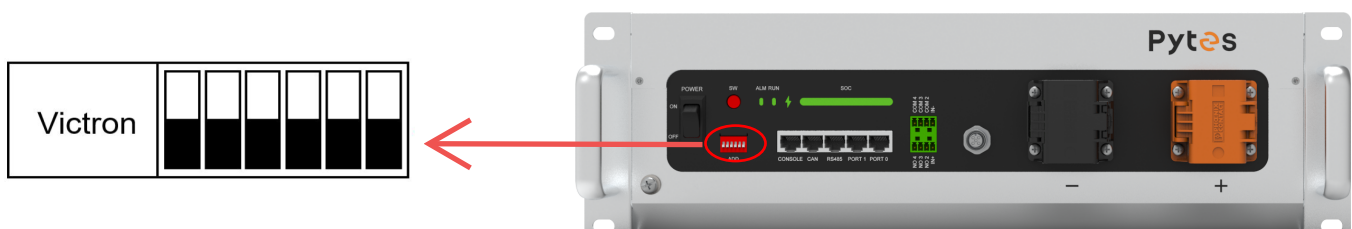


Figure 2.1.3.3 Victron DIP Switch Setting

Connect the **VE.Bus** ends of the inverter and Color Control GX by standard ethernet cable. Plug in the battery end into the **CAN** of the Pytes V series battery and plug in the inverter end into the **VE.CAN** of the Color Control GX as shown in the Figure 2.1.3.4.

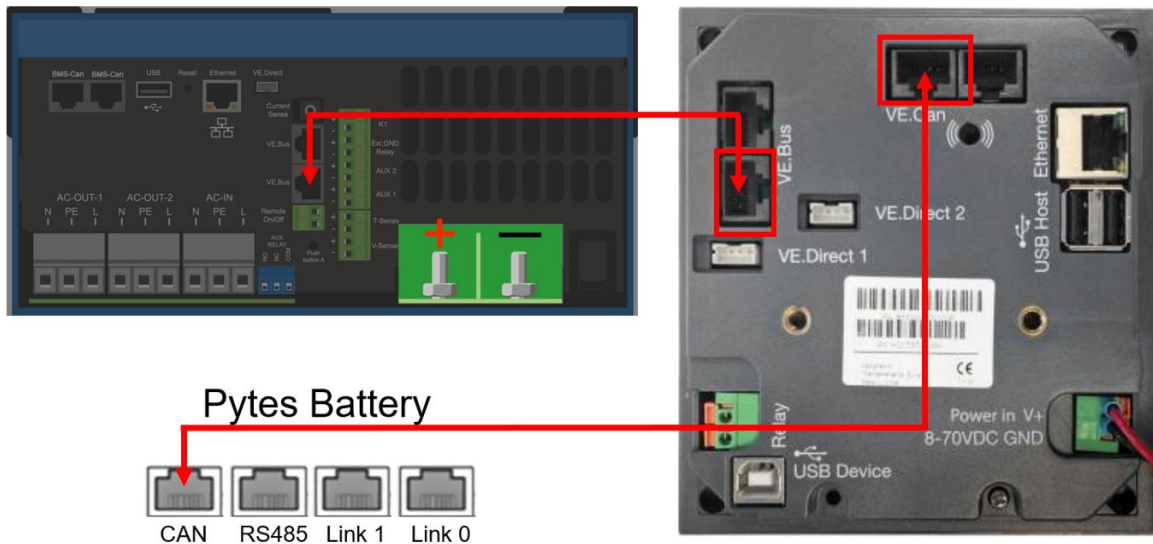


Figure 2.1.3.4 Communication cable connection

If you bought any other products of Victron Energy, please refer to the Figure 2.1.3.5 below or Manual to connect it.

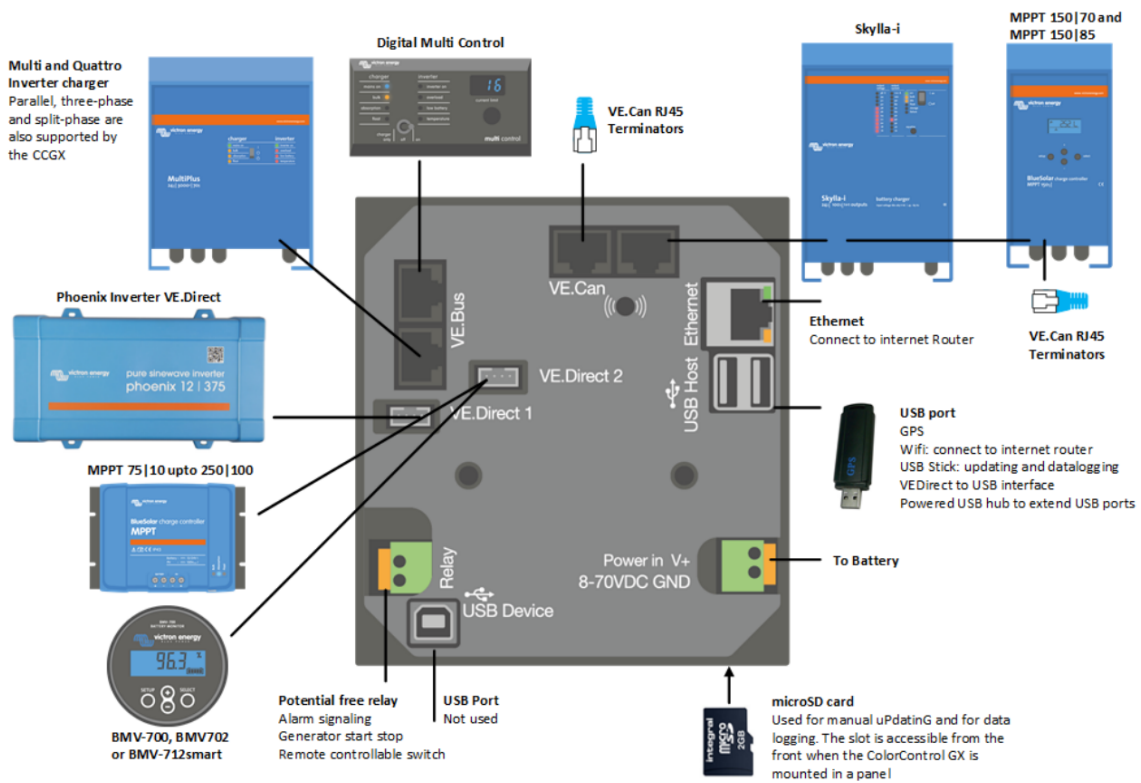


Figure 2.1.3.5 Victron Devices Connection

Program the inverter

Press the switch on the inverter to enter settings mode.

As shown in Figure 2.1.3.7, press “up” or “down” button to select between settings menu.

Press “left” or “right” button to “return” or “enter”.



Figure 2.1.3.6 Victron Inverter Switch



Figure 2.1.3.7 Victron Color Control

As shown in the Figure 2.1.3.8, follow below steps to set the boud rate.

- Press Settings and down to the Services at the bottom line.
- Select the VE.CAN port line.
- Select the CAN-bus BMS (500 Kbit/s).

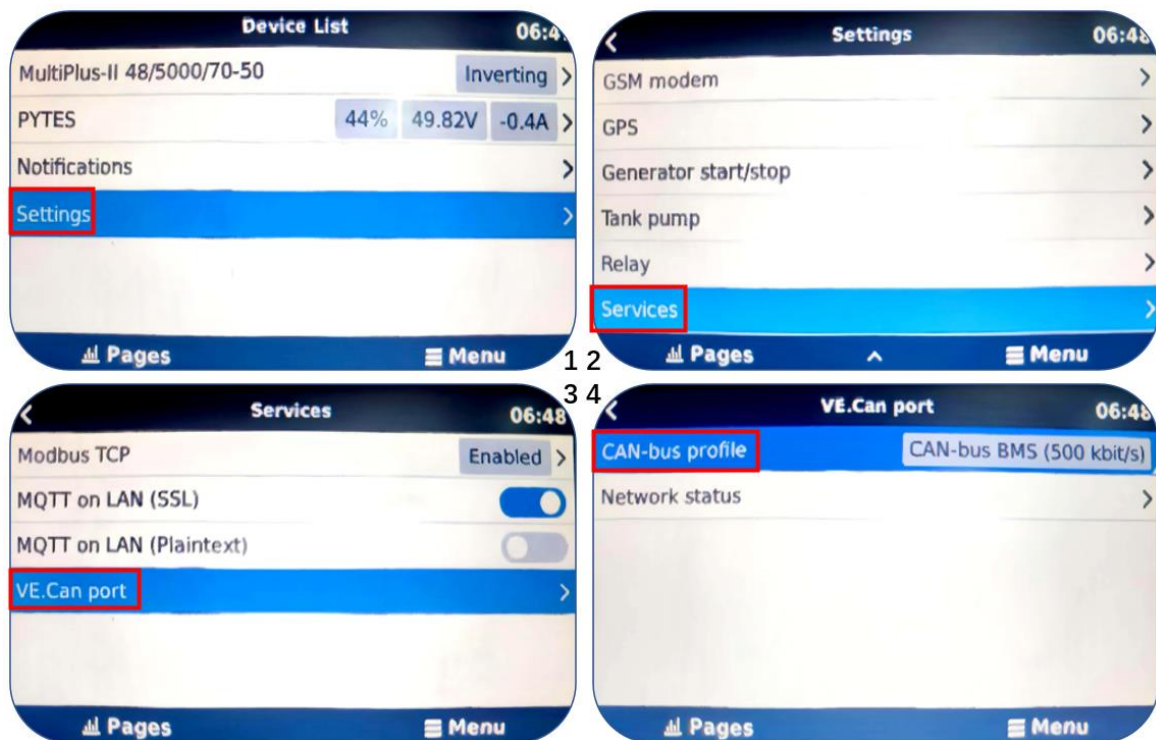


Figure 2.1.3.8 CAN-Port Setting

Check device connection information shown in the Figure 2.1.3.8.

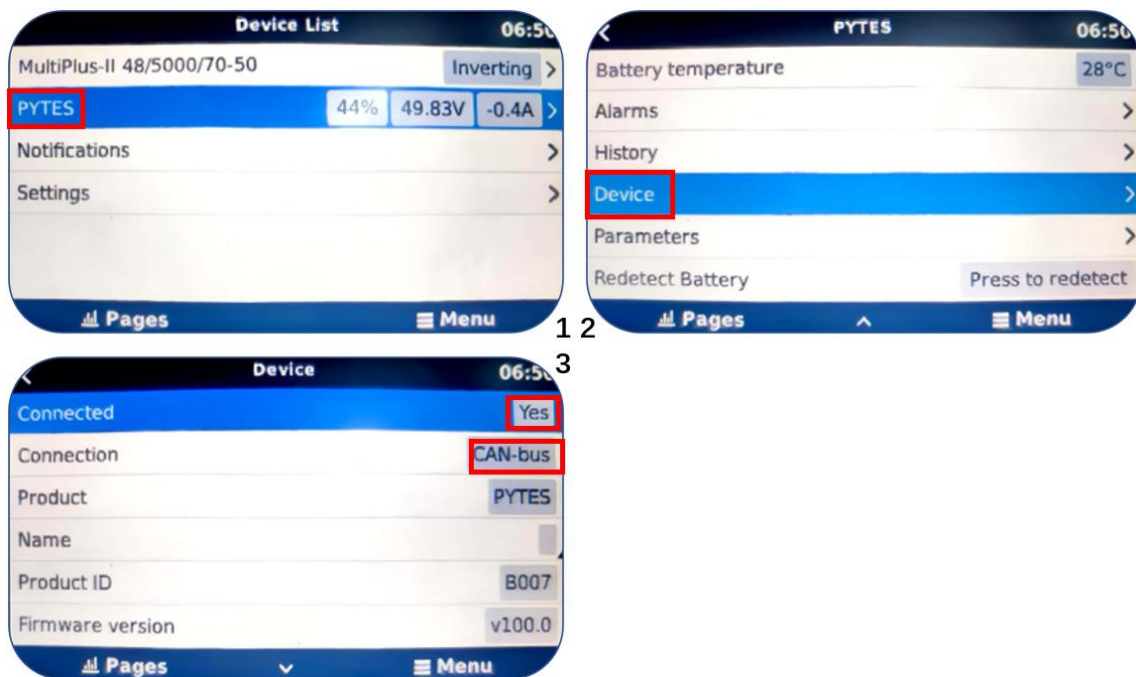


Figure 2.1.3.9 Device connection information

Check out the battery parameters.

- Check the battery basic parameters: SOC, Voltage and Current on the PYTES line as shown in Figure 2.1.3.10(1).
- Go into PYTES, check more battery details, as shown in Figure 2.1.3.10(2) & (3).

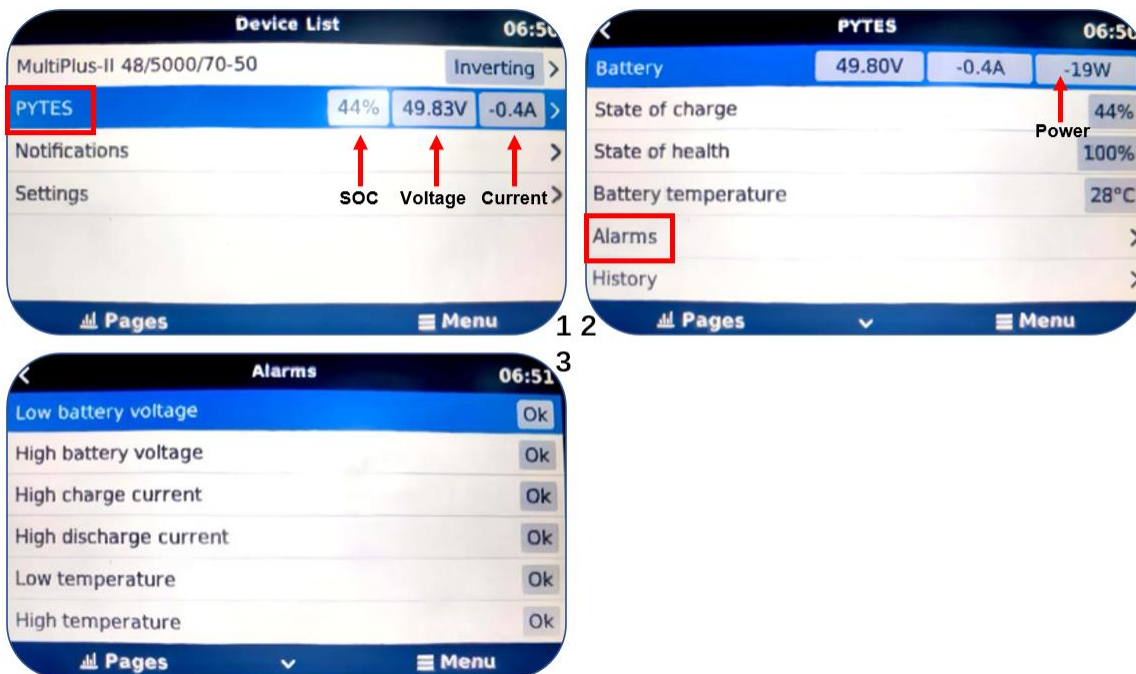


Figure 2.1.3.10 Device connection information

Please refer to the [Victron Energy Inverter](#) for more settings.