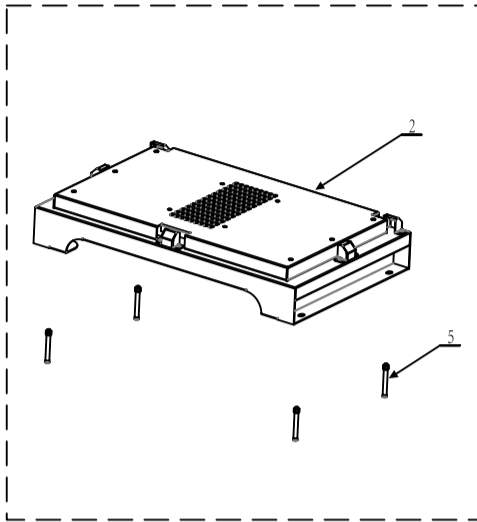


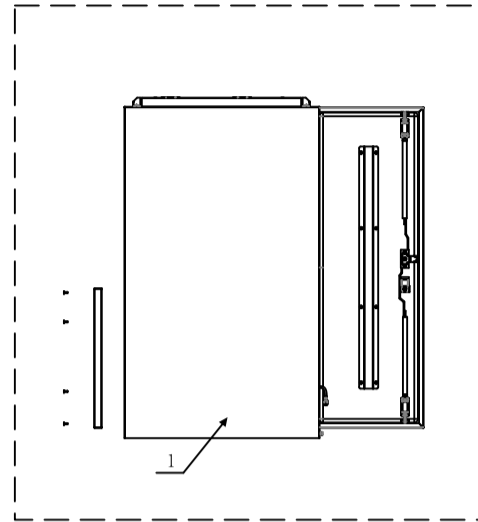
# V-BOX-OC Installation instructions

## Step 1



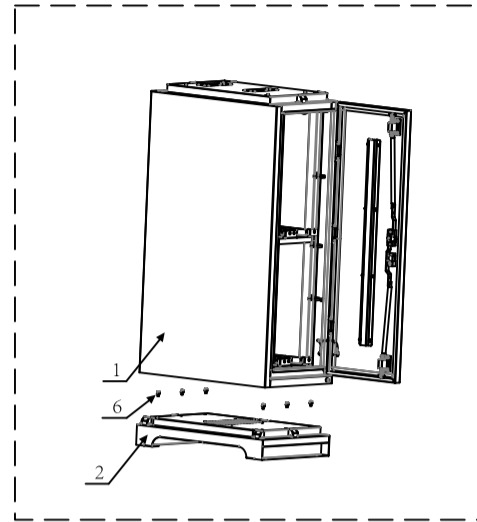
Fix the base to floor with 4 expansion screws

## Step 2



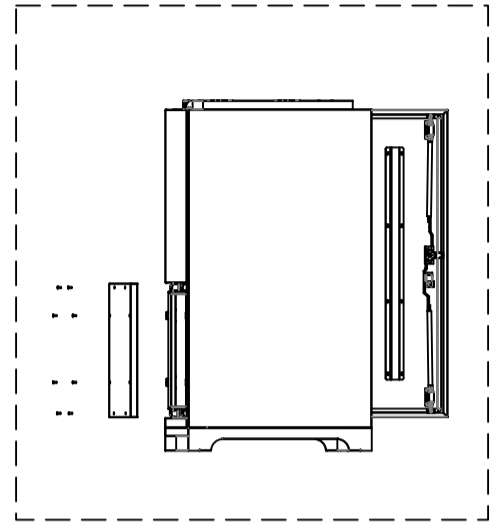
Open the cabinet back door

## Step 3



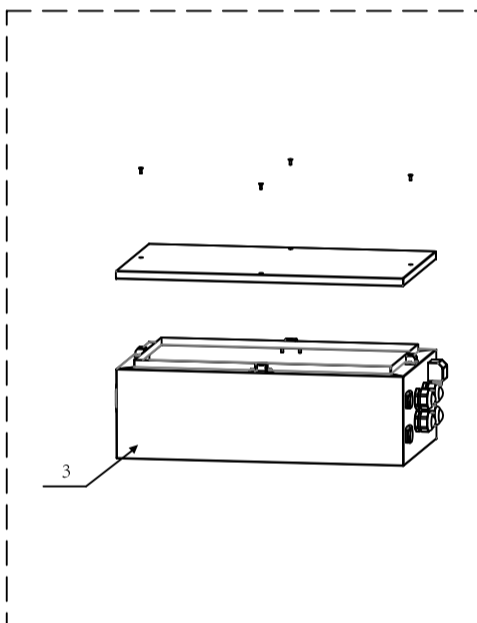
Fix the cabinet to base with 6 screws

## Step 4



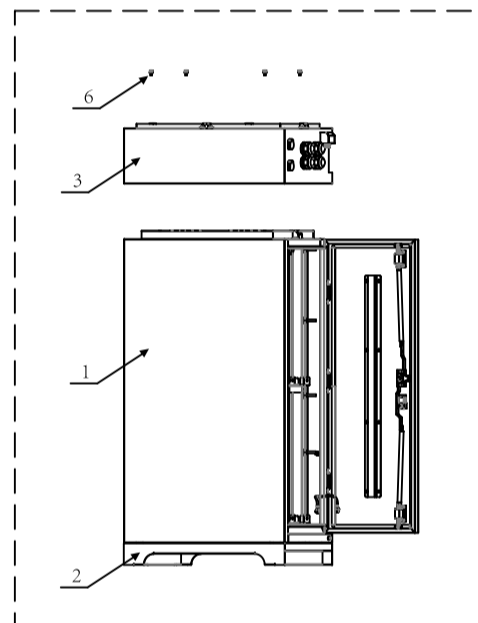
Close the cabinet back door

## Step 5



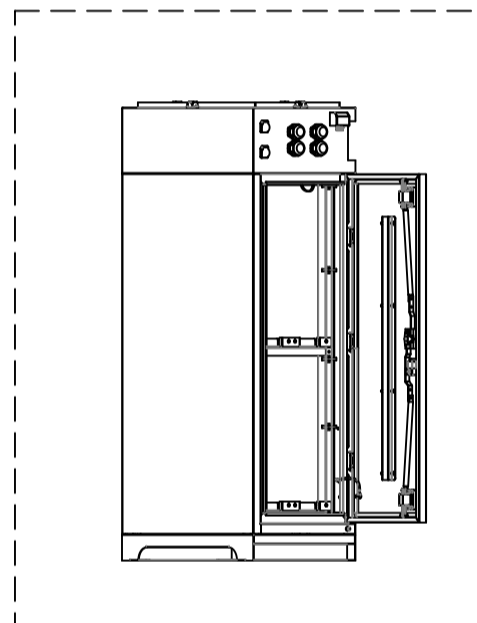
Remove the top cover from combiner box

## Step 6



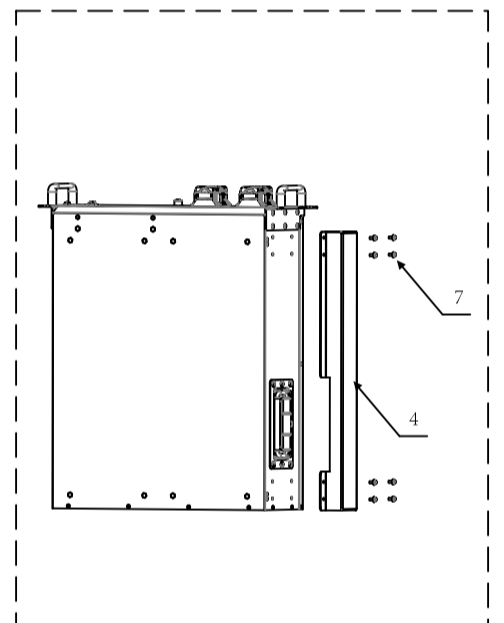
Fix the combiner box to cabinet with 4 screws

## Step 7



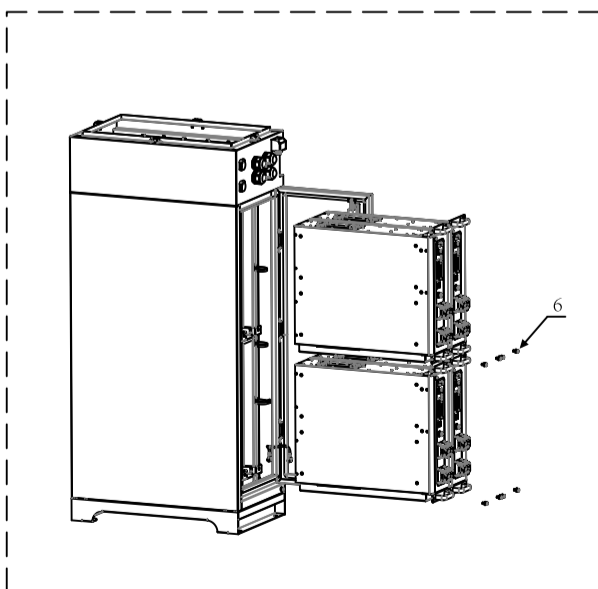
Get cables in place

## Step 8



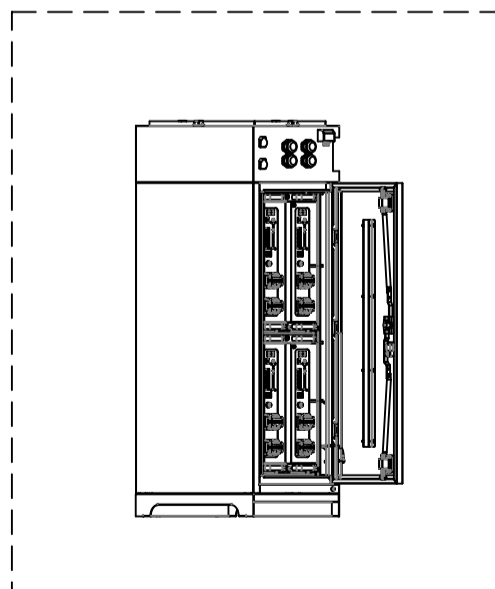
Equip each battery with a bracket and fix together by 8 screws

## Step 9



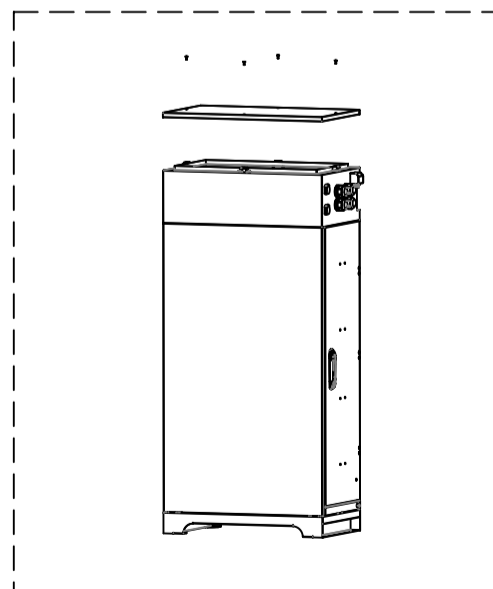
Place batteries into cabinet and fix together with 8 screws

## Step 10



Wire the cables

## Step 11



Fix the top cover to combiner box with 4 screws

# Packing List

| NO. | Items                        | Quantit | Specifications  | Pictures  |
|-----|------------------------------|---------|---|---|
| 1   | Battery Cabinet              | 1 pcs   | 25.4"×15.6"×44.3"<br>(645mm×395mm×1125mm)   |    |
| 2   | Cabinet Base                 | 1 pcs   | 25.4"×15.6"×4.3"<br>(645mm×395mm×110mm)   |    |
| 3   | Combiner Box                 | 1 pcs   | 25.4"×15.6"×8.7"<br>(645mm×395mm×220mm)   |    |
| 4   | Battery Bracket              | 4 pcs   | 19.2"×3.6"×1.4"<br>(488mm×91mm×35mm)  |    |
| 5   | Expansion Bolt               | 4 pcs   | GB/T 22795(TGQ)-2008<br>M8×50(2.0")   |    |
| 6   | Screws                       | 18 pcs  | ISO 10644G-2014<br>M6×16(0.6")  |   |
| 7   | Screws                       | 32 pcs  | GB/T 9074.13-1988<br>M4×10(0.4")  |  |
| 8   | Power Cable                  | 2 pcs   | UL10269-4AWG-48.0"(1220mm) Amphenol+C45-25<br>for V5°a<br>or<br>UL10269-4AWG-48.0"(1220mm) C45-25+SC25-6<br>for V5° |  |
| 9   | Power Cable                  | 2 pcs   | UL10269-4AWG-67.7"(1720mm) Amphenol+C45-25<br>for V5°a<br>or<br>UL10269-4AWG-67.7"(1720mm) C45-25+SC25-6<br>for V5° |  |
| 10  | Power Cable                  | 2 pcs   | UL10269-4AWG-30.3"(770mm) Amphenol+SC25-6<br>for V5°a<br>or<br>UL10269-4AWG-30.3"(770mm) SC25-6×2<br>for V5°        |  |
| 11  | Power Cable                  | 2 pcs   | UL10269-4AWG-48.8"(1240mm) Amphenol+SC25-6<br>for V5°a<br>or<br>UL10269-4AWG-48.8"(1240mm) SC25-6×2<br>for V5°      |  |
| 12  | Communication Cable          | 2 pcs   | CAT6 UTP 8 Cores Communication Cable -<br>25.6"(650mm)-RJ45×2   |  |
| 13  | Communication Cable          | 2 pcs   | CAT6 UTP 8 Cores Communication Cable -<br>29.5"(750mm)-RJ45×2   |  |
| 14  | Wifi Antenna Extension Cable | 1 pcs   | 2LC00PM901-XH2.5 Connector<br>Male Terminal-38.4"(900mm)  |  |
| 15  | Warning label                | 3pcs    | 2.0"×3.9"<br>(50mm×100mm)   |  |
| 16  | Adjustable Cable Tie mount   | 4 pcs   | PE-CL-3   |  |