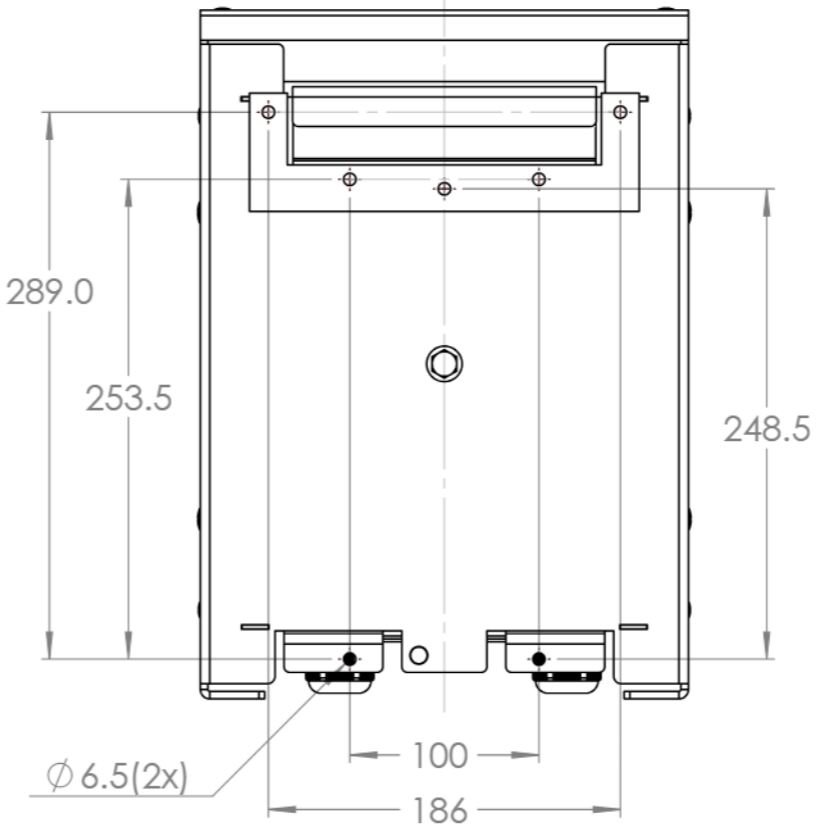
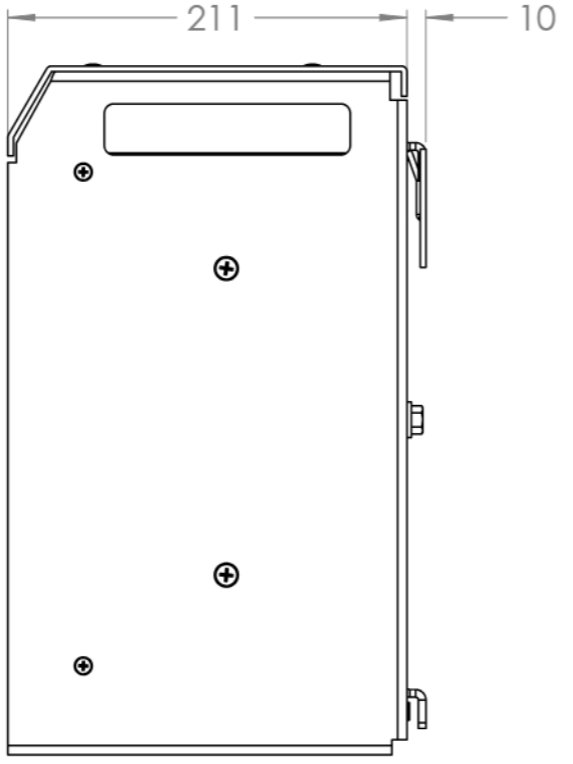
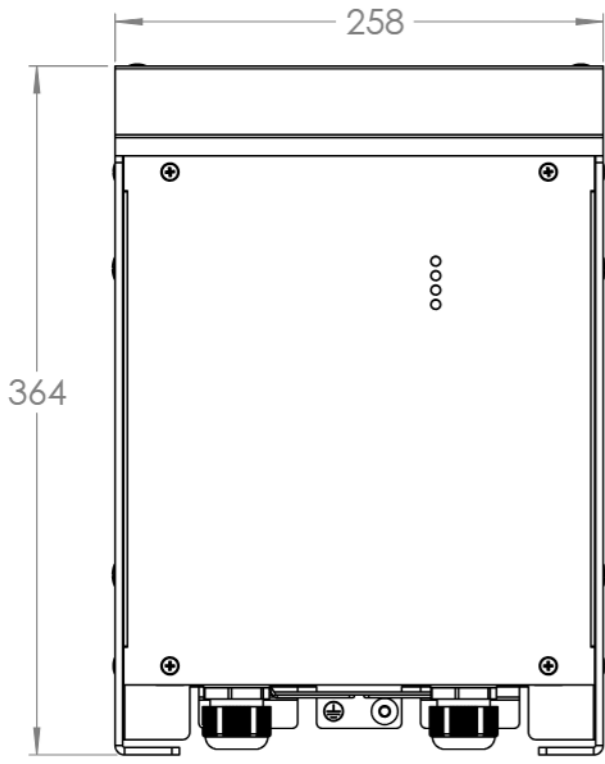
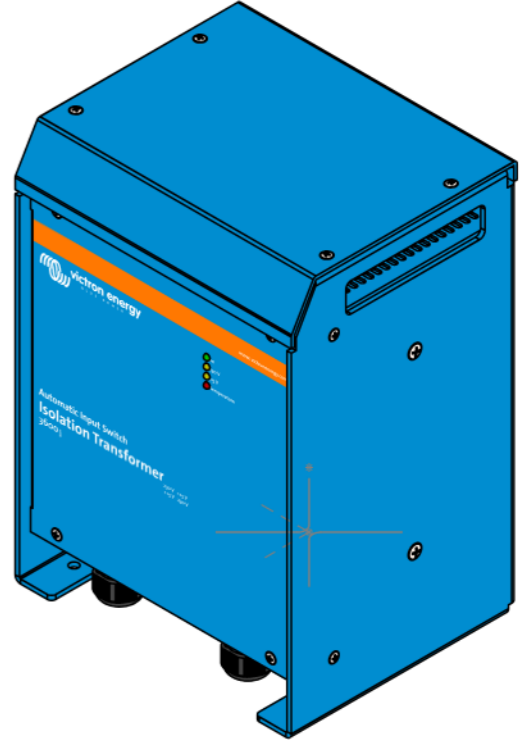
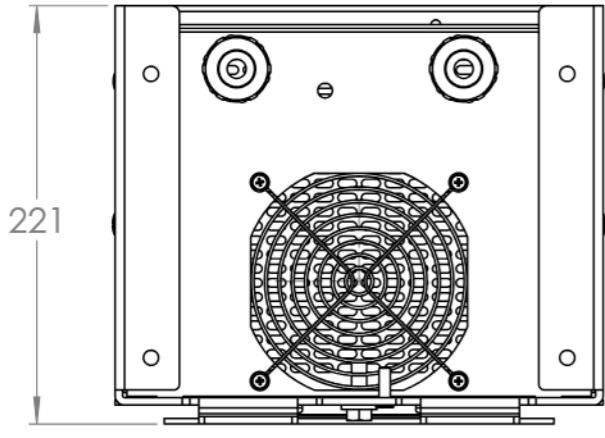
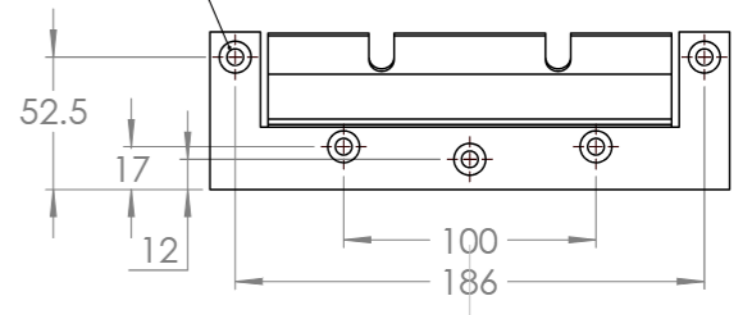


| Dimension Drawing - Isolation Transformer |   |
|---|---|
| ITR040362041                              | Isolation Transformer 3600W 115/230V      |
| ITR050362041                              | Isolation Transformer 3600W Auto 115/230V |



Countersunk M6 holes(5x)



Dimensions in mm



Rev00